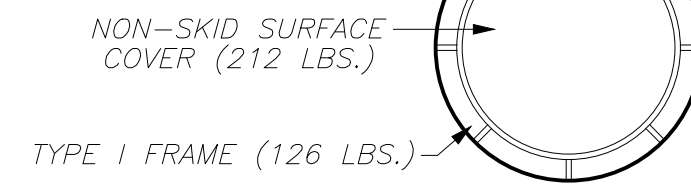
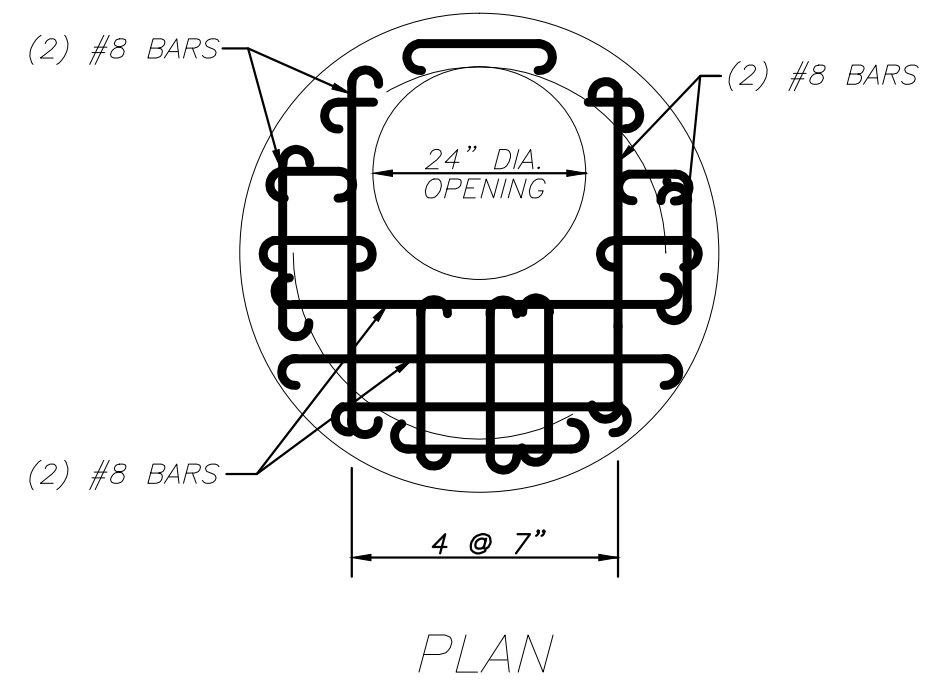
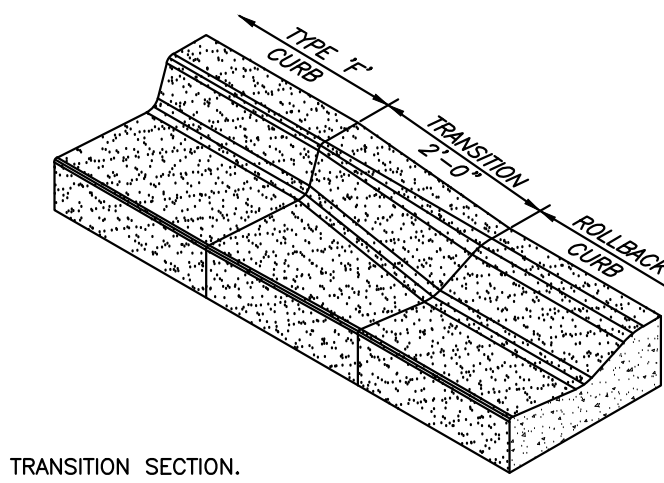


CURB DETAIL
NOT TO SCALE



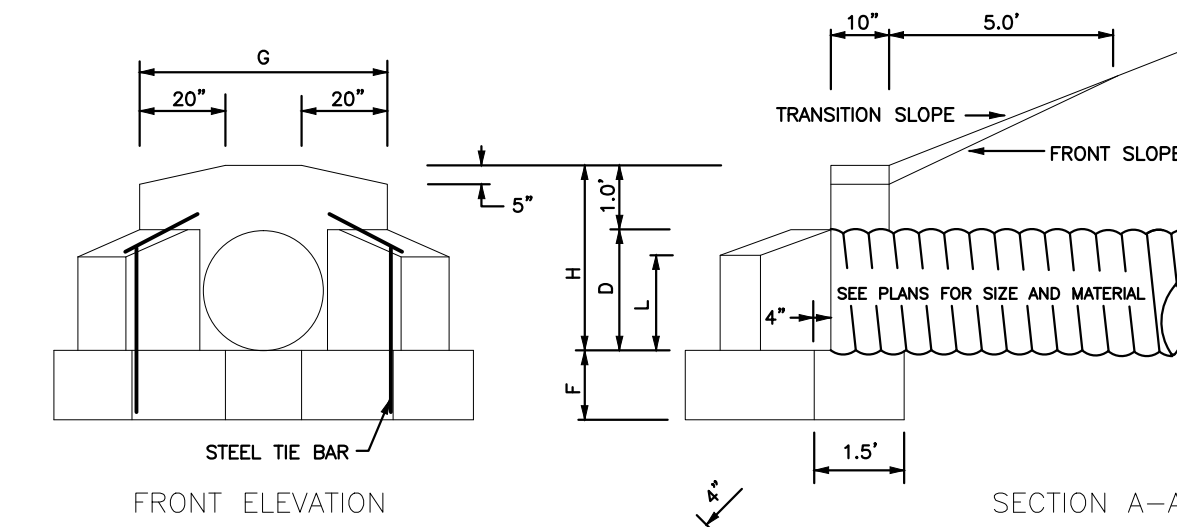
MANHOLE FRAME
& COVER PLAN



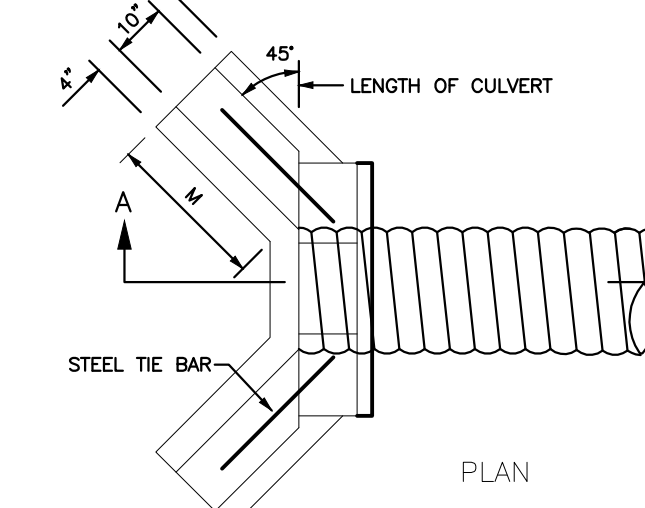
NOTE:
HAND TROWEL TRANSITION SECTION.

TYPICAL ROLLBACK CURB TRANSITION
TO CURB DETAIL
NOT TO SCALE

- NOTES:
- INLET BOTTOM 12" LOWER THAN PIPE INVERT SHOWN ON PLAN.
 - SEE F.D.O.T. STANDARD INDEX DRAWING NO.'S 200 & 201 FOR ADDITIONAL DETAILS.
 - MANHOLES 6' OR GREATER IN DEPTH SHALL INCLUDE BUILT-IN STEPS FOR ACCESS.
 - BOTTOM SECTION SHALL BE ACCORDING WITH THE SIZE PIPE. EXAMPLE: STANDAR, TYPE P OR TYPE J



FRONT ELEVATION SECTION A-A

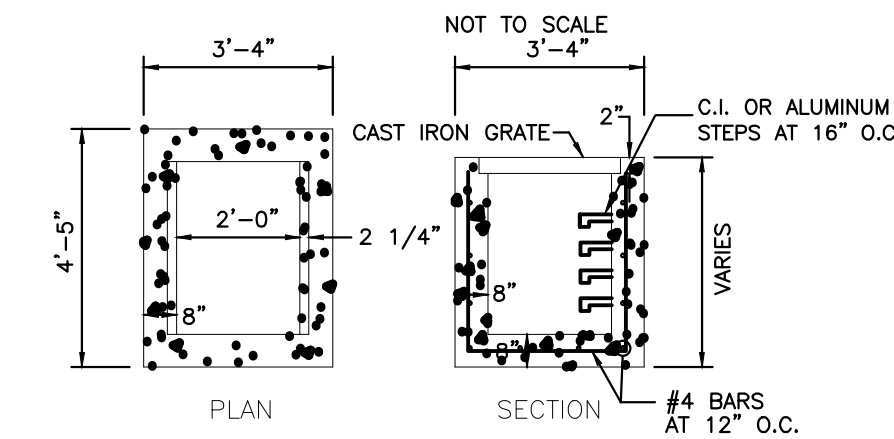


PLAN

TABLE OF DIMENSIONS AND ESTIMATED QUANTITIES
PIPE CULVERT ENDWALLS WITH 45° WINGS

OPENING D	AREA SQ.FT.	DIMENSIONS				FOOTING F	CONCRETE CLASS I			STEEL TIE BARS
		H	G	L	M		CONC. PIPE	TOTAL CU. YDS.	C.I. PIPE	
18"	1.8	2'-6"	3'-10"	1'-2"	1'-7"	1'-3"	0.74	0.77	0.77	NONE
24"	3.1	3'-0"	4'-4"	1'-5"	2'-1"	1'-4"	1.01	1.06	1.06	2 - 3/4" x 2'-0"
30"	4.9	3'-6"	5'-10"	1'-8"	2'-5"	1'-6"	1.32	1.40	1.39	2 - 3/4" x 2'-0"
36"	7.1	4'-0"	7'-4"	2'-0"	3'-11"	1'-8"	1.72	1.83	1.82	2 - 3/4" x 3'-0"
42"	9.6	4'-6"	9'-10"	2'-3"	5'-6"	2'-0"	2.34	2.47	2.47	2 - 3/4" x 3'-0"
48"	12.6	5'-0"	11'-4"	2'-6"	7'-0"	2'-0"	2.74	2.90	2.90	2 - 3/4" x 3'-0"
15"	1.2	2'-3"	3'-7"	1'-0"	1'-3"	1'-3"	0.56	0.59	0.59	NONE

CONCRETE ENDWALL WITH WINGS



F.D.O.T. TYPE C INLET - F.D.O.T. INDEX NO.232

STRUCTURES GREATER THAN 6' DEPTH SHALL INCLUDE STEPS FOR ACCESS

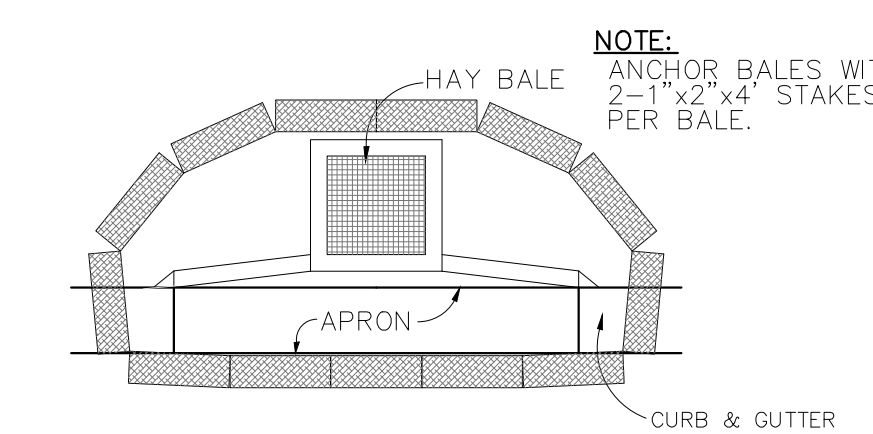
RECOMMENDED MAXIMUM PIPE SIZE:

2'-0" WALL - 18" PIPE

3'-1" WALL - 24" PIPE

FOR GREATER PIPES USE ALT. A OR ALT. B (TYPE J AND P F.D.O.T. INDEX 200) STRUCTURE BOTTOM

DITCH BOTTOM INLET DETAIL - TYPE C
NOT TO SCALE



PROTECTION AROUND INLETS OR SIMILAR STRUCTURES

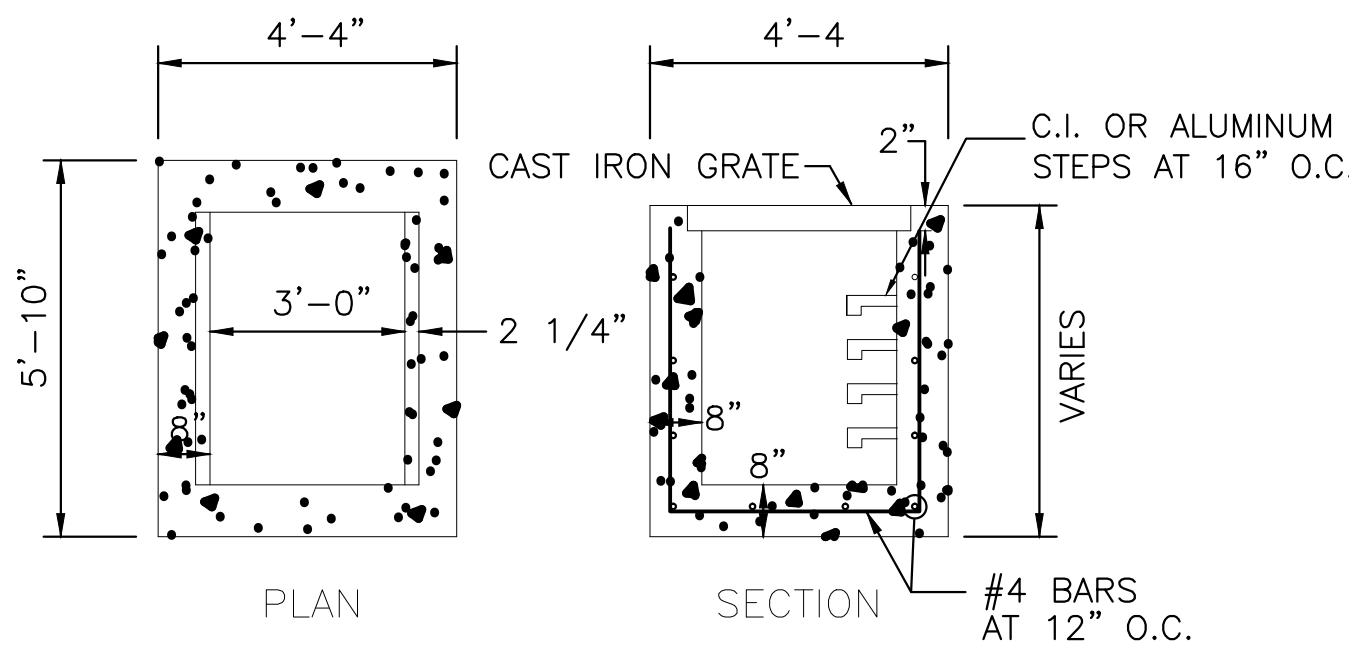
..... = SINGLE BALE

..... = DOUBLE BALE

TYPICAL HAY BALE DIKE PLAN

SEDIMENT CONTROL AT INLETS

NOT TO SCALE



F.D.O.T. TYPE E INLET - F.D.O.T. INDEX NO.232

STRUCTURES GREATER THAN 6' DEPTH SHALL INCLUDE STEPS FOR ACCESS

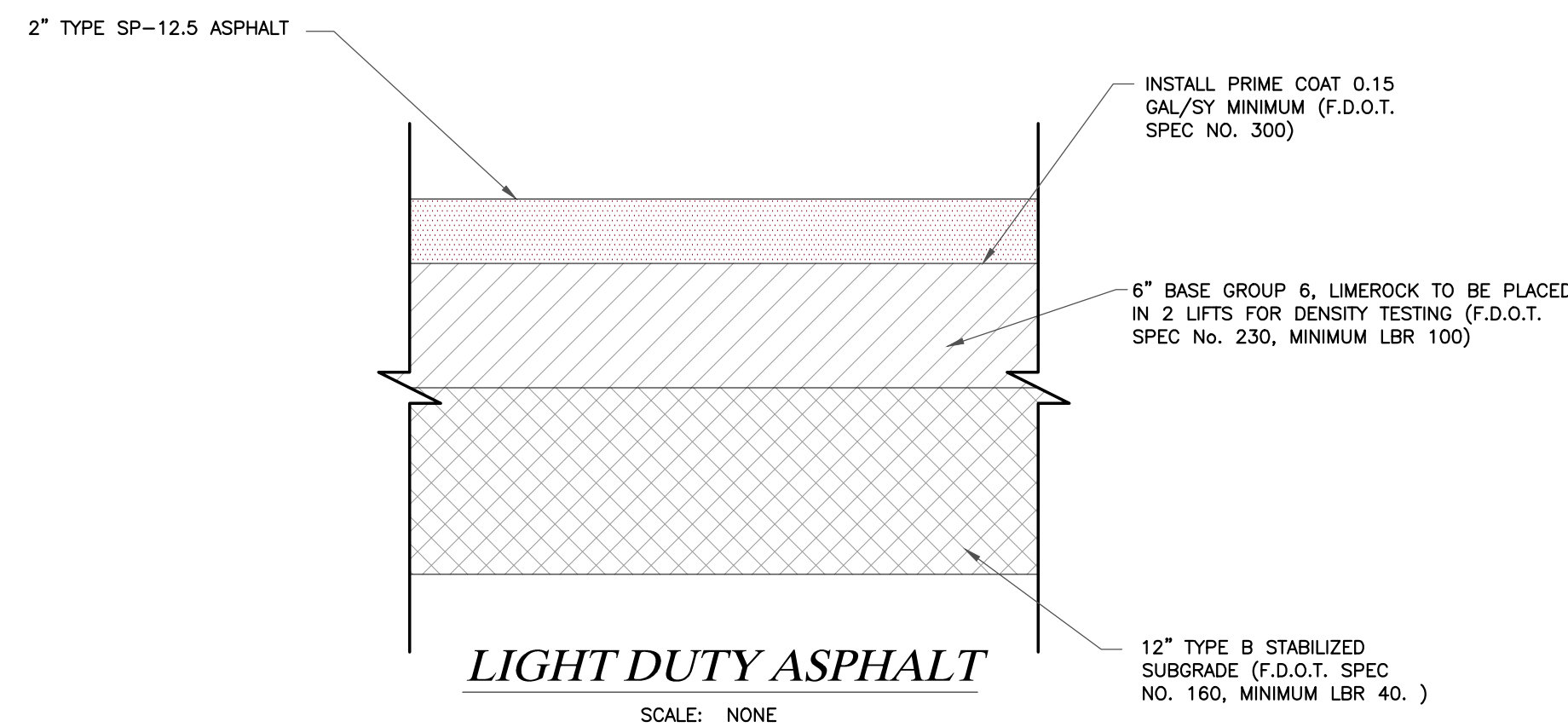
RECOMMENDED MAXIMUM PIPE SIZE:

3'-0" WALL - 24" PIPE

4'-6" WALL - 36" PIPE

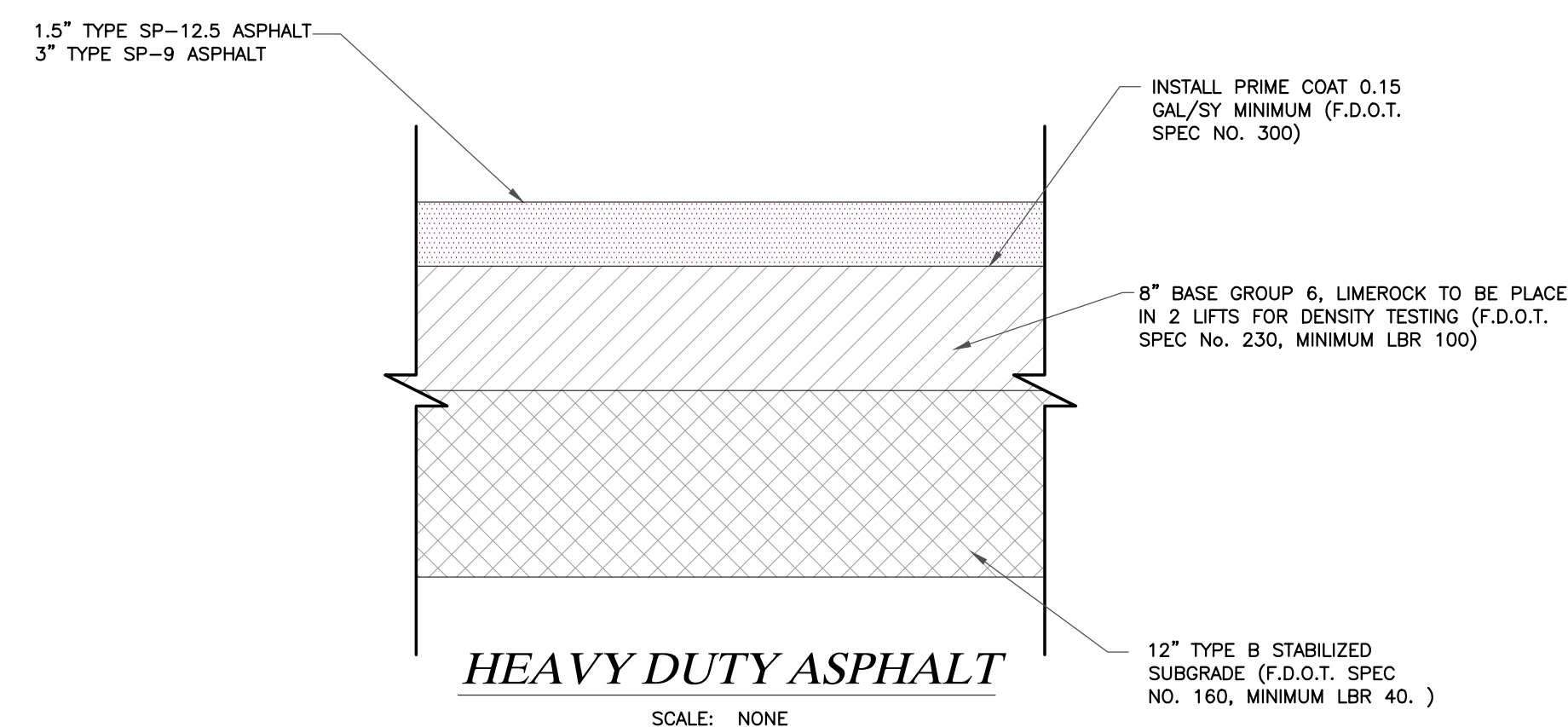
FOR GREATER PIPES USE ALT. A OR ALT. B (TYPE J AND P F.D.O.T. INDEX 200) STRUCTURE BOTTOM

DITCH BOTTOM INLET DETAIL - TYPE "E"
NOT TO SCALE



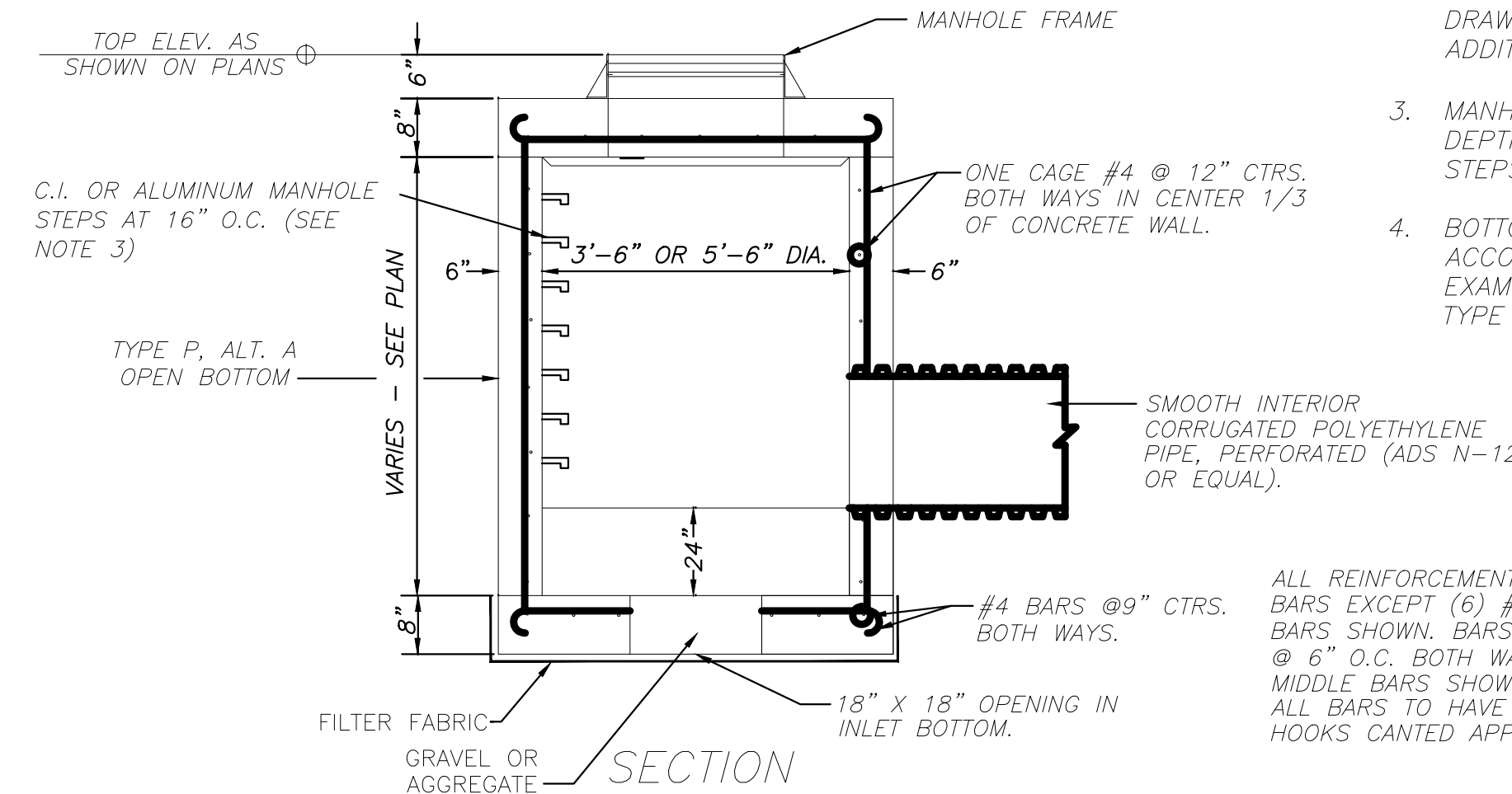
LIGHT DUTY ASPHALT

SCALE: NONE

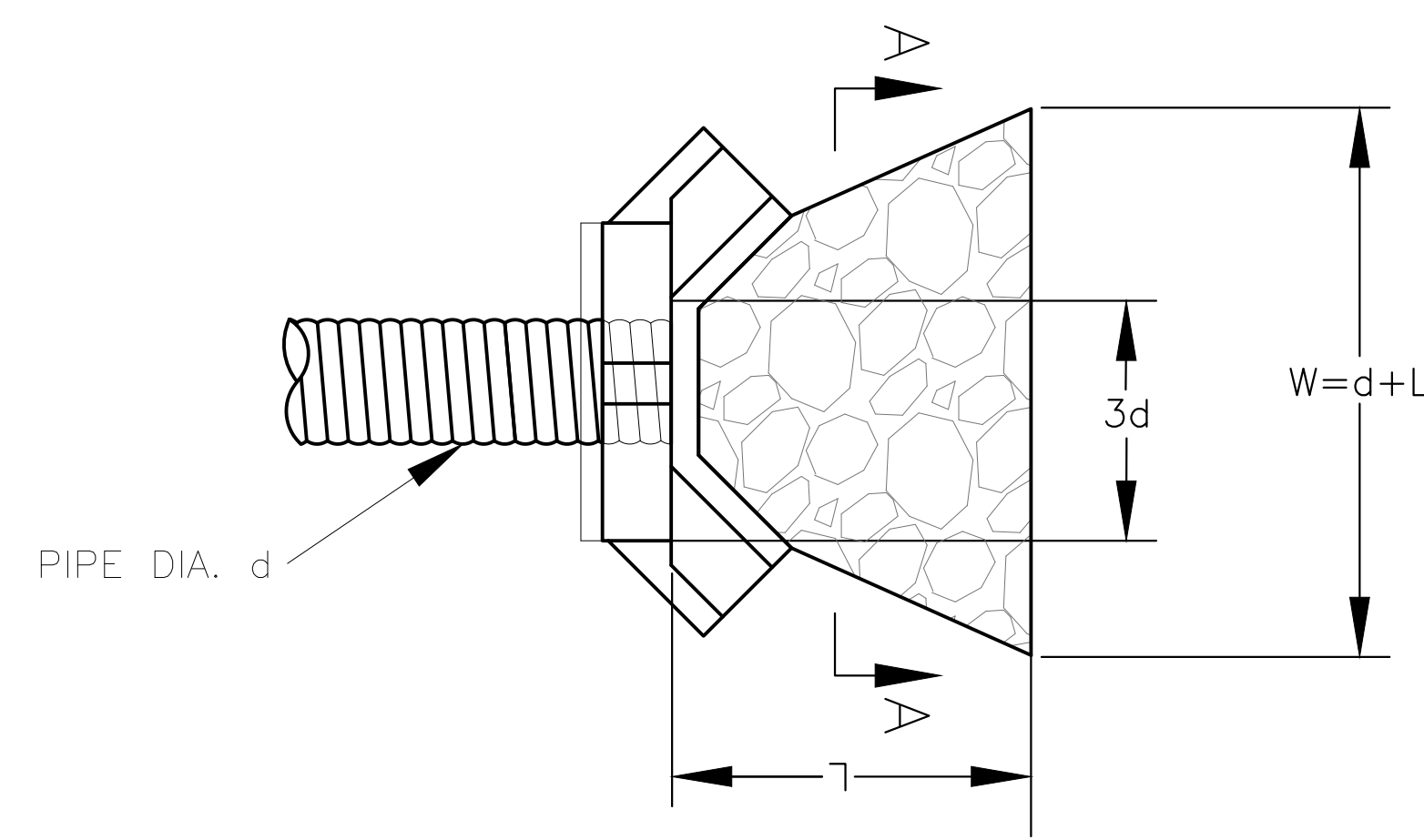


HEAVY DUTY ASPHALT

SCALE: NONE



STORM MANHOLE
NOT TO SCALE



STONE RIP-RAP
SECTION A-A
NOT TO SCALE

TYPICAL RIP-RAP DETAIL
NOT TO SCALE

RIP-RAP LENGTH TABLE

PIPE DIA.	L, FT
15"	5'
18"	8'
24"	10'
30"	12'
36"	14'
42"	16'
48"	18'
60"	20'

USE CLASS II STONE RIP-RAP AT ALL LOCATIONS SHOWN IN PLANS.

ISSUE DATE	DATE	BY
OWNER REVIEW	06/09/14	
90% SUBMITTAL	10/01/14	
ADDENDUM	01/29/15	
drawn by:	JWS	
checked by:		

WALTON COUNTY
CAREER DEVELOPMENT CENTER
DeFuniak Springs, FL

CMOB140023

CONSTRUCTION